

# Tern Perch™ Bicycle Wall Mount

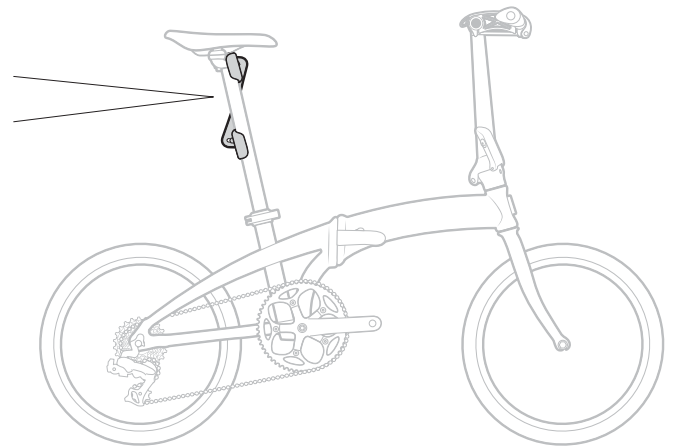
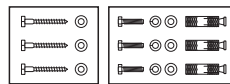
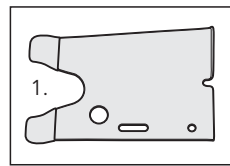
## Included in the package

1. Perch Bicycle Wall Mount
2. 3x Wood Mounting Bolts with Washers
3. 3x Cement / Masonry Inserts with Bolts and Washers

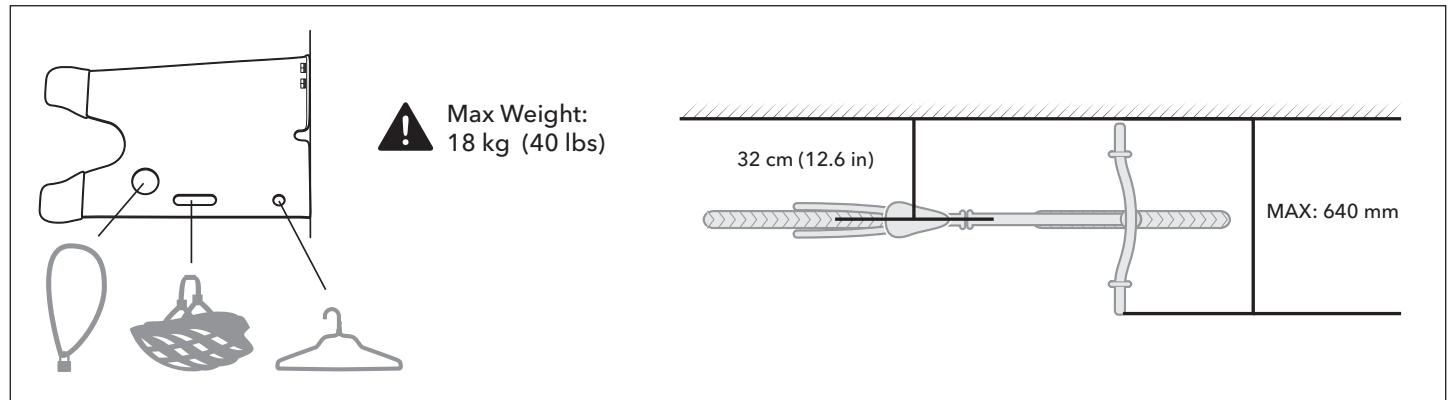
## Tools Required (not supplied)

### Wood Framed Walls: Cement / Masonry Walls:

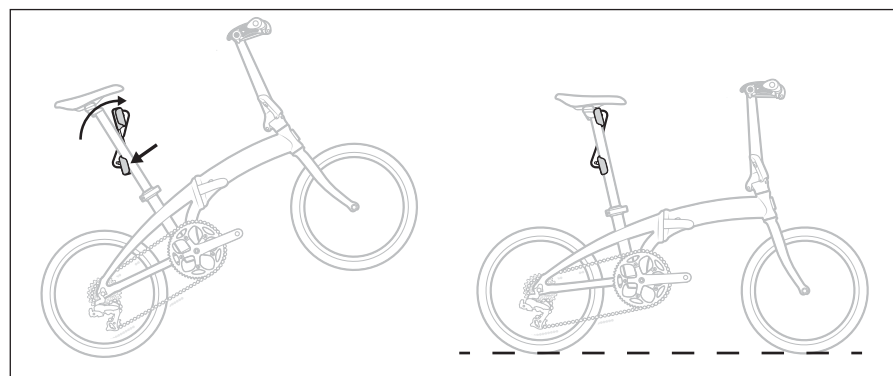
- |                 |                      |
|-----------------|----------------------|
| 1. Drill        | 1. Drill             |
| 2. 4 mm Bit     | 2. 11 mm Masonry Bit |
| 3. 11 mm Wrench | 3. 10 mm Wrench      |
| 4. Pencil       | 4. Hammer            |
| 5. Level        | 5. Pencil            |
|                 | 6. Level             |



## Specification



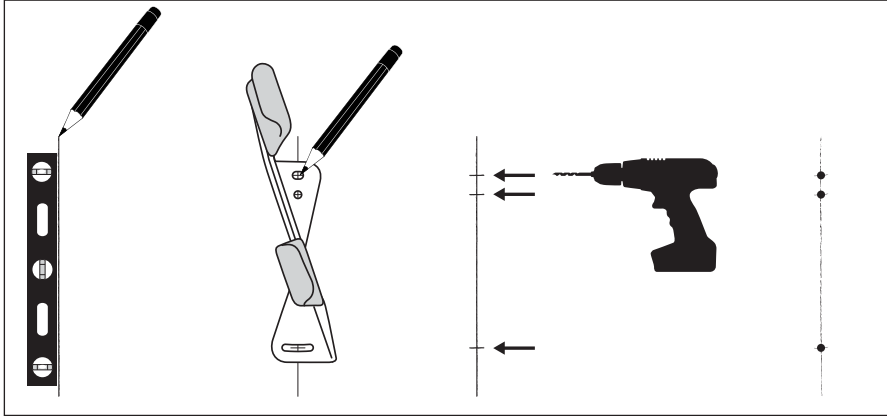
## Usage



1. Insert bike into Perch chain-side out, rotated slightly counterclockwise (rear wheel down).
2. Straighten bike to secure into mount.

# Installation

**⚠ WARNING:** When installing on wood frame walls, mount to a wall stud. Mounting to drywall or a hollow wall may result in damage or injury and is not recommended.



1. Mark points to drill. Points should align vertically.

2. Drill holes.

**Important Note: Hole diameter and depth differ for wood and cement / masonry.**

**Wood:**

Diameter 4 mm (5/32 in); depth 45 mm (1-3/4 in)

**Cement / Masonry:**

Diameter 11 mm (7/16 in); depth 36 mm (1-1/2 in)

3. For Cement / Masonry, drive in cement inserts.

**Wood / Wall Stud**

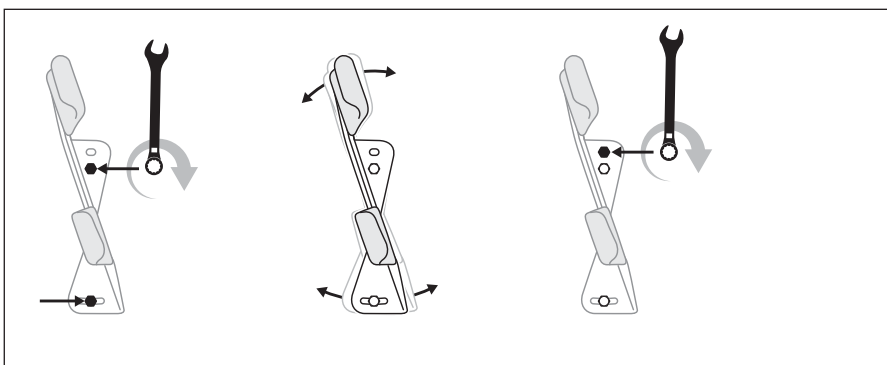
Diameter: 4 mm (5/32 in)  
Depth: 45 mm (1-3/4 in)

11 mm

**Cement / Masonry**

Diameter: 11 mm (7/16 in)  
Depth: 36 mm (1-1/2 in)

10 mm



4. Fix middle and bottom bolts. Tighten enough to hold bike.

5. Fit bike into Perch and adjust angle so bike is horizontal.

6. Add top bolt. Tighten all bolts.

**LIMITED PRODUCT WARRANTY INFORMATION:** This Product comes with a ONE (1) YEAR Limited Warranty from the date of retail purchase by the original end-user. If a material or workmanship defect arises and a valid claim is received within the Warranty Period, this wall mount will be replaced. Mobility Holdings cannot be held liable for damages to personal property due to misuse or improper care and maintenance. This Product Warranty does not, under any circumstance, cover the replacement or cost of any third party product used with or connected to the Product.

Tern, the Tern Werd (logotype), and the Tern Berd (device) and Tern Perch, used alone or in combination are trade names, trade devices or registered trademarks of Mobility Holdings, Ltd.