

Cargo Tray

Weight Limits

⚠ Do not exceed 30 kg (66 lb).

Safety

⚠ Do not lift the bike by the Cargo Tray.

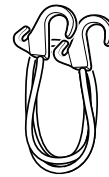
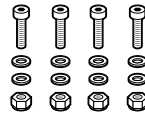
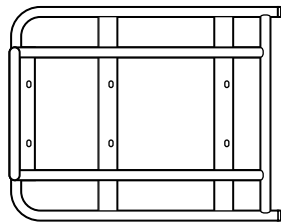
⚠ Do not use to carry passengers.

⚠ Secure all cargo before riding. Take care that all straps are tied down and any loose items are secured.

⚠ Place loads evenly and as central on the Tray as possible.

What's Included

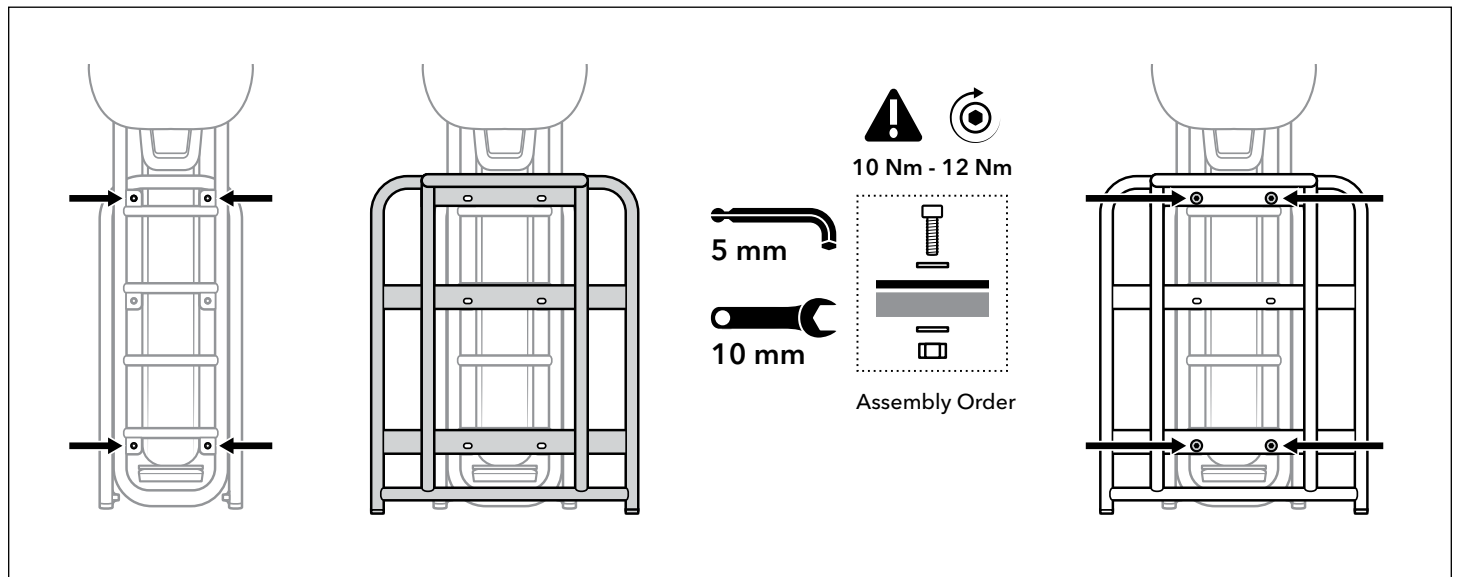
- Cargo Tray
- M6 Screw x 4
- M6 Washer x 8
- M6 Nut x 4
- SideStrap



Tools Required (Not Included)

- 5 mm Allen Wrench
- 10 mm Wrench

How to Install the Cargo Tray



LIMITED PRODUCT WARRANTY INFORMATION: This Product comes with a ONE (1) YEAR Limited Warranty from the date of retail purchase by the original end-user. If a material or workmanship defect arises and a valid claim is received within the Warranty Period, this Product will be replaced. Mobility Holdings cannot be held liable for damages to personal property due to misuse or improper care and maintenance. This Product Warranty does not, under any circumstance, cover the replacement or cost of any third party product used with or connected to the Product.

Tern, the Tern Werd (logotype), and the Tern Berd (device) used alone or in combination are trade names, trade devices or registered trademarks of Mobility Holdings, Ltd.

© 2021. Tern is a trademark of Mobility Holdings, Ltd. All Rights Reserved.

   @ternbicycles

ternbicycles.com