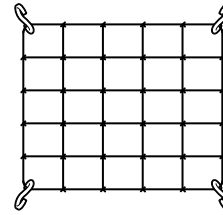
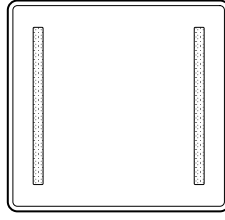
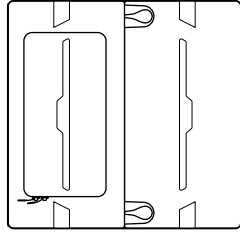


Soft Crate Mini

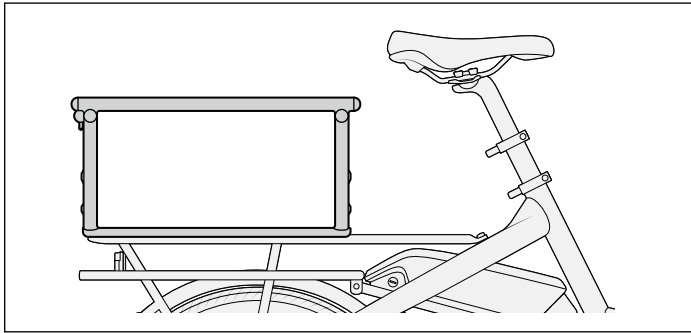
What's Included

1. Soft Crate Mini
2. Base Plate
3. Bungee Cargo Net

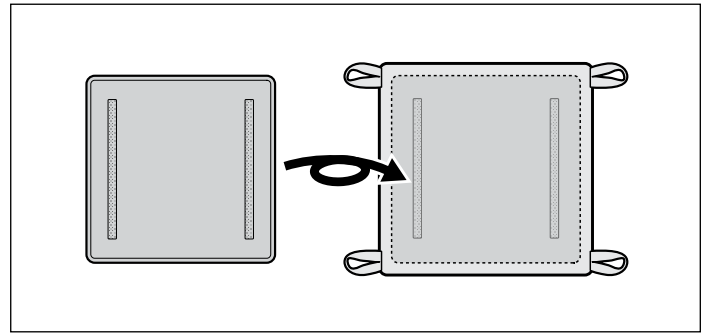


How to Install

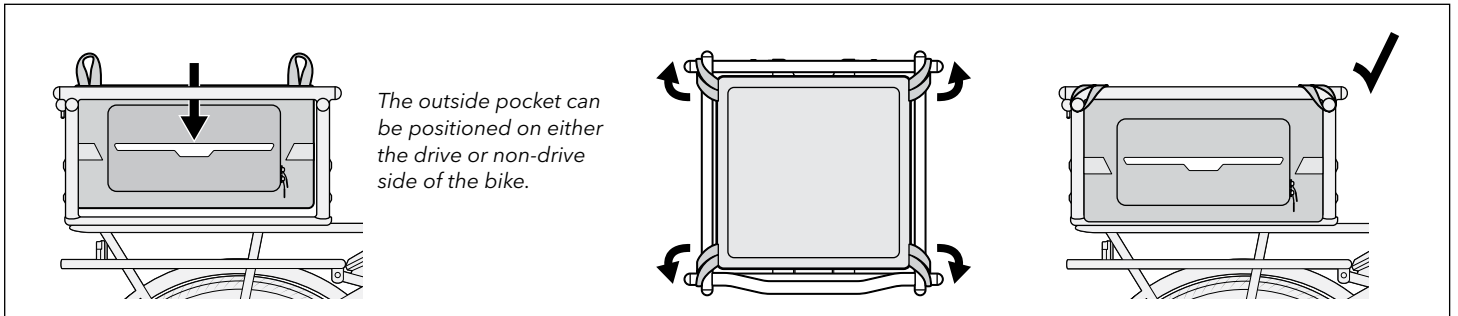
1. Install the Clubhouse™ Mini (sold separately)



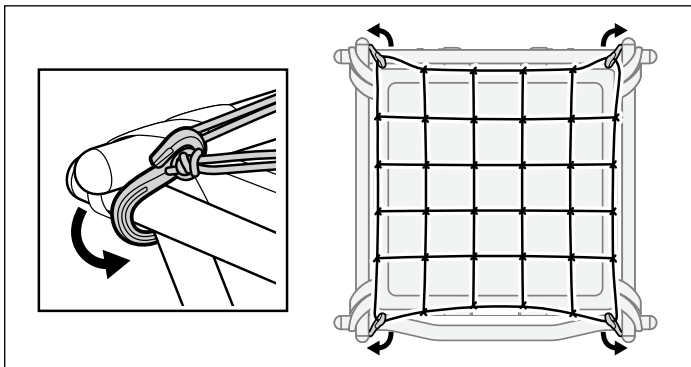
2. Install the Base Plate to the inside of the Soft Crate Mini.



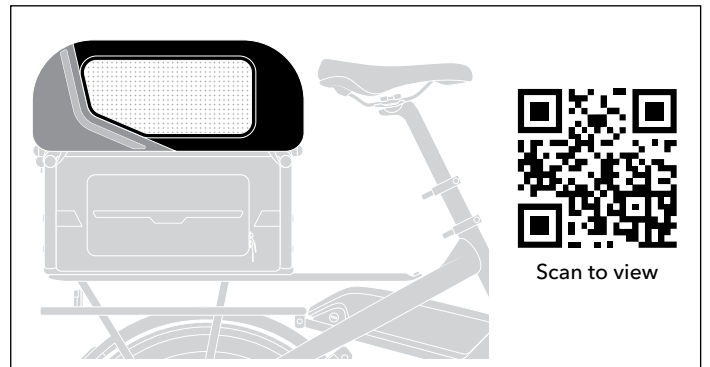
3. Attach the Soft Crate Mini to the Clubhouse Mini.



How to Install the Bungee Cargo Net



Dog Roof Mini (Sold Separately)



Safety and Damage Prevention

- Please take care when rolling the bike into Vertical Parking Position. The Soft Crate Mini may come in contact with the ground and could be scratched or damaged.
- Secure all cargo before riding. Make certain all straps are tied down and any loose item is secured.
- Check to ensure accessories have been correctly installed and securely fastened before riding.
- The Soft Crate Mini is designed to be used on the bike. The straps were not designed to be a carrying handle and were not intended to carry weight.

Soft Crate Mini

Dog Safety Tips

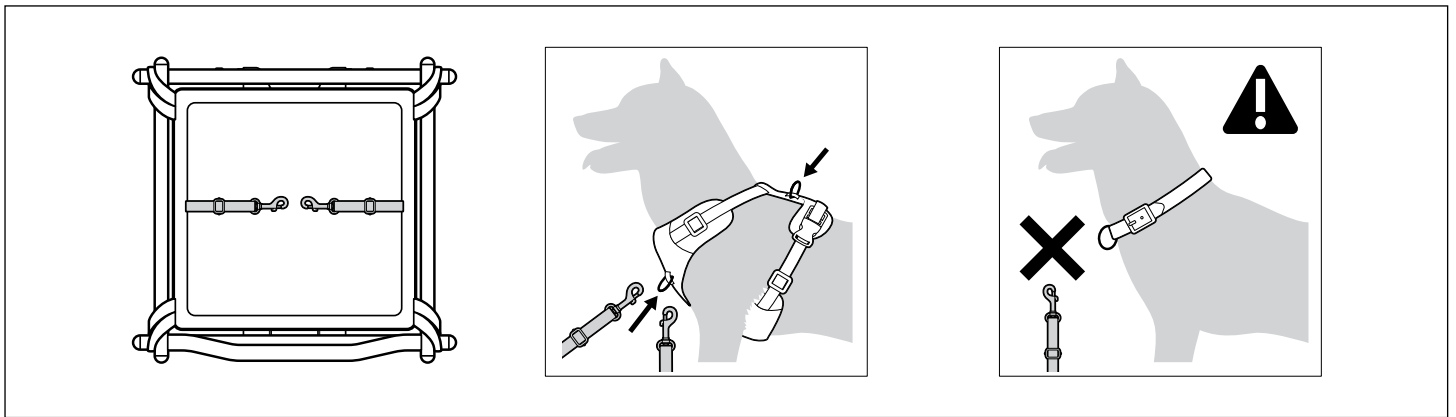
Use the Soft Crate Mini with the Dog Roof Mini to create a Doghouse Mini, an enclosed dog carrier for Tern bicycles. The Doghouse Mini must be installed with the Clubhouse Mini and is designed to carry a well-behaved, trained small/mid-sized dog up to 13.5 kg (30 lb).

Before riding

- Consult with your veterinarian or dog behavior specialist if you have any questions or concerns on how to ride with your dog.
- Familiarize your dog with the Doghouse Mini before taking them on the bike. Install the Soft Crate Mini & Dog Roof Mini to the Clubhouse Mini and place it in a familiar environment so they can get used to how it feels and smells. Your dog is likely to behave more calmly if they are introduced to the Doghouse Mini in a non-threatening way. They may need some time before your first ride to become accustomed to the new carrier. Don't rush the introduction.
- Alternatively, install one accessory at a time and give your dog enough time to become familiar with each part separately.

On the bike

- Before riding on public roads, practice riding without your dog. Place something the same weight as your dog in the Doghouse Mini and practice biking with the additional weight in the back.
- After feeling comfortable with the increased weight, practice riding with your dog in a calm, traffic-free area.
- Always attach both safety tethers to your dog's harness to prevent them from jumping out of the Doghouse Mini. **Do NOT attach the tethers to a collar.** Attaching the tethers to a collar can cause serious injury and will increase the risk of neck damage.



- **Do NOT leave your dog unattended** even if the bike is on the kickstand. A wriggling dog can upset the balance of the bike and a fall may result in serious injuries.
- During your ride, periodically check that your dog is comfortable and stays adequately hydrated.
Tip: Use the bottle mounts on the Clubhouse Mini to attach your dog's water bottle.
- Make sure the first ride is a short and positive experience. Monitor your dog to make sure they remain calm and relaxed. Longer rides should wait until your dog feels comfortable on the bike.

LIMITED PRODUCT WARRANTY INFORMATION: This Product comes with a ONE (1) YEAR Limited Warranty from the date of retail purchase by the original end-user. If a material or workmanship defect arises and a valid claim is received within the Warranty Period, this Product will be replaced. Mobility Holdings cannot be held liable for damages to personal property due to misuse or improper care and maintenance. This Product Warranty does not, under any circumstance, cover the replacement or cost of any third party product used with or connected to the Product.

Tern, the Tern Werd (logotype), the Tern Berd (device), and Clubhouse used alone or in combination are trade names, trade devices or registered trademarks of Mobility Holdings, Ltd.

© 2022. Tern is a trademark of Mobility Holdings, Ltd. All Rights Reserved.

   @ternbicycles

ternbicycles.com