

Tern Market Basket

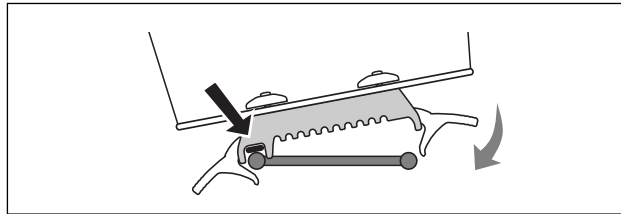
Specifications

Compatibility: All Tern & Biologic rear racks. Racks with tube diameter 10-16 mm and rack width 9-16 cm.

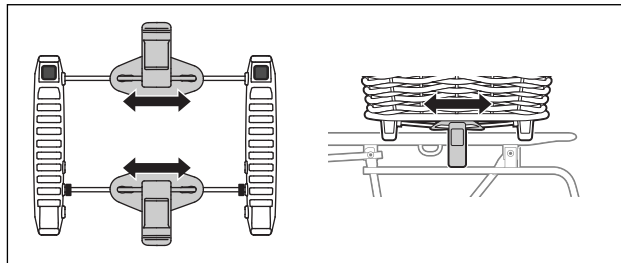
Maximum load capacity: 10 kg (22 lb)

Mounting the Basket

The bracket is set up for mounting a Tern Cargo™ Rack or racks 11-13 cm wide with 14-16 mm diameter tubes. To adjust the bottom bracket for different racks, see Adjusting for Different Rack Tube Diameters and Adjusting for Different Rack Widths.

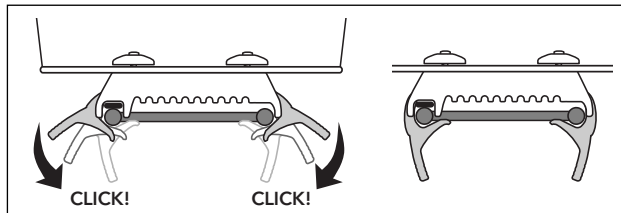


1. Rest the red rubber inserts on the rail.



2. Position the levers anywhere along the spring rod.

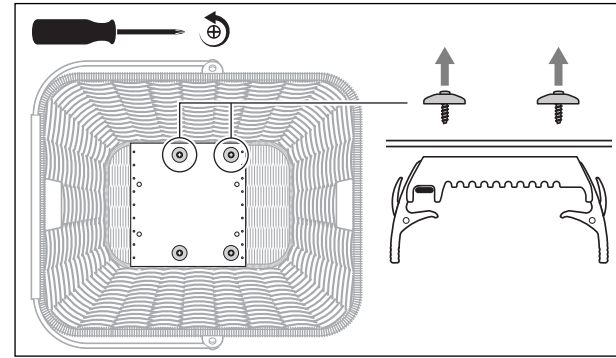
⚠ Ensure that no objects, such as strap holder loop, prevent the levers from closing completely.



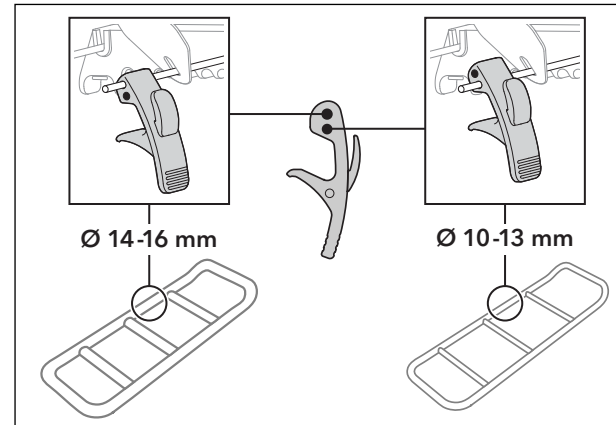
3. Set the basket down, close the levers and make sure the levers click in.

⚠ Make sure that the basket is securely mounted before riding.

Adjusting for Different Rack Tube Diameters



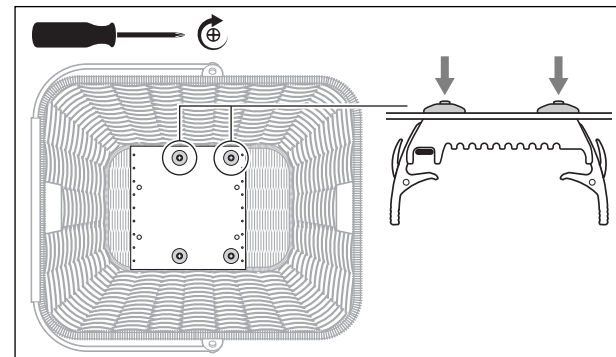
1. Unscrew one bracket and remove spring rods.



2. Insert the rods into the appropriate holes and reinsert the rods into the bracket.

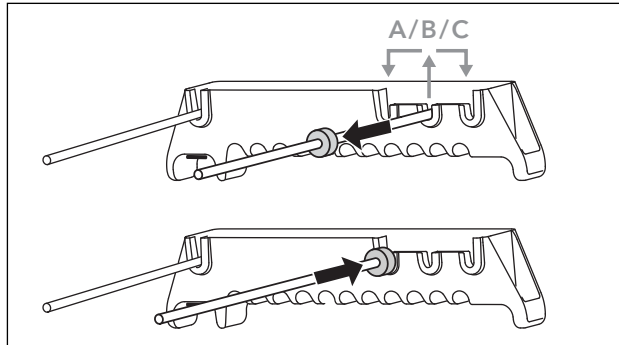
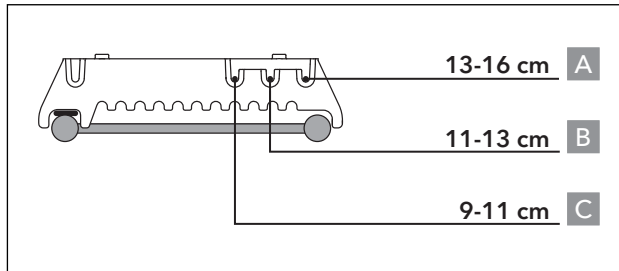
Ø 14-16 mm (upper hole):
Cargo Rack, Rapid Transit Rack, GSD Rear Rack"

Ø 10-13 mm (lower hole):
Loader Rack, Trolley Rack, BioLogic Post Rack, BioLogic Portage Rack 24, BioLogic Portage Rack 20



3. Fasten the screws (2 Nm max).

Adjusting for Different Rack Widths

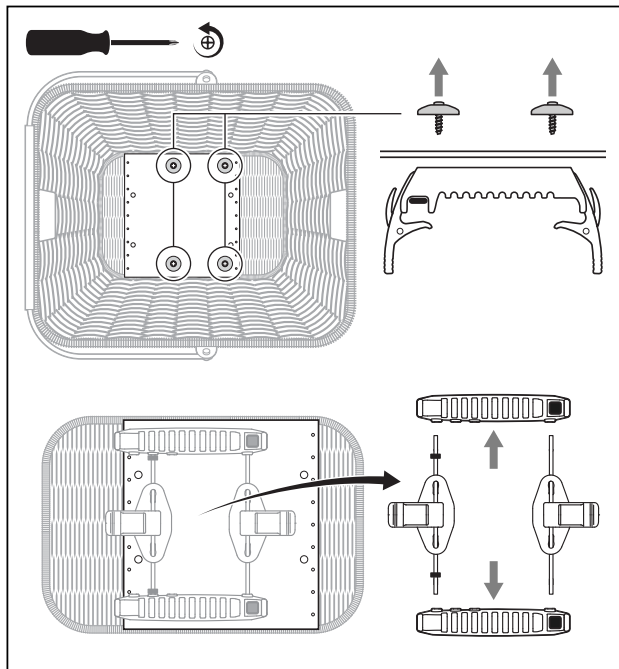


One of the spring rods can be fixed in three different notch positions [A, B, C] in the bracket.

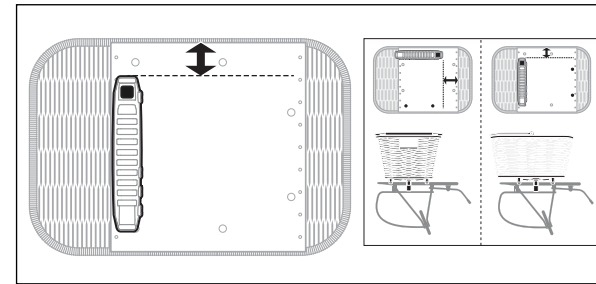
- A. Rapid Transit Rack
- B. Loader Rack, Cargo Rack, GSD Rear Rack, Freight Rack, BioLogic Portage 24, and BioLogic Portage 20
- C. Racks 9 - 11 cm in width

1. Slide the rubber rings on the spring rod away from the brackets.
2. Push both ends of the spring rod away from the notch and shift it to the desired position.
3. Slide the rubber retainer rings towards the brackets.

Changing Mounting Orientation

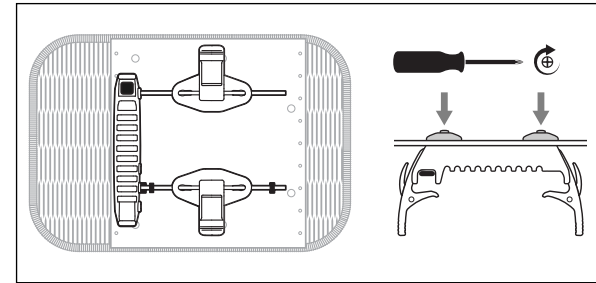


1. Loosen screws of brackets with Cross-Head Screwdriver.
2. Remove spring rods and levers.

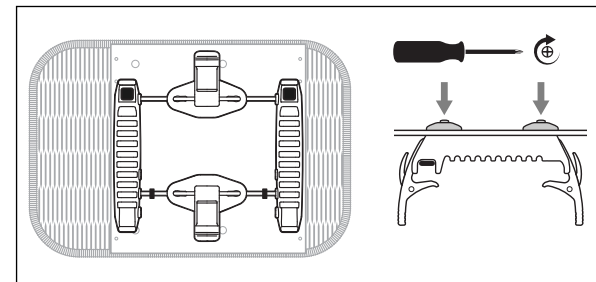


2. Place one bracket in the mounting holes for the desired mounting orientation.

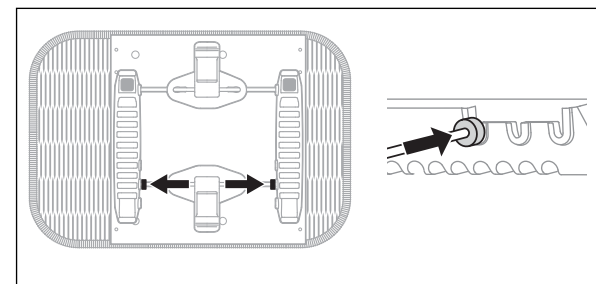
! Note the location of the red rubber insert relative to the edge of the basket. Incorrect orientation will result in basket being off-center.



3. Reinsert the rods into the bracket.
4. Tighten the screws (2 Nm max).



5. Install other bracket.
6. Tighten the screws (2 Nm max).



7. Slide the rubber retainer rings against the brackets.

LIMITED PRODUCT WARRANTY INFORMATION: This Product comes with a ONE (1) YEAR Limited Warranty from the date of retail purchase by the original end-user. If a material or workmanship defect arises and a valid claim is received within the Warranty Period, this Product will be replaced. Mobility Holdings cannot be held liable for damages to personal property due to misuse or improper care and maintenance. This Product Warranty does not, under any circumstance, cover the replacement or cost of any third party product used with or connected to the Product.

Tern, the Tern Werd (logotype), and the Tern Berd (device), and Market Basket, used alone or in combination are trade names, trade devices or registered trademarks of Mobility Holdings, Ltd.