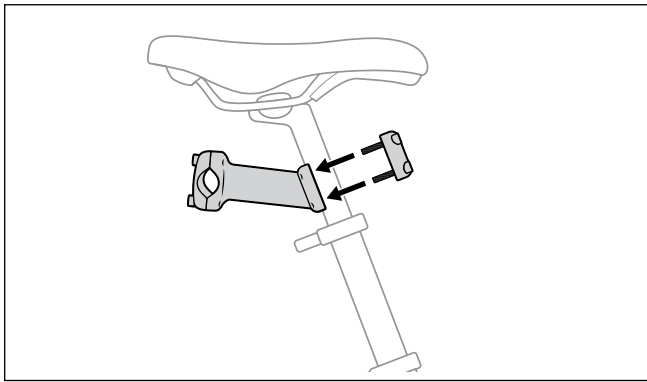
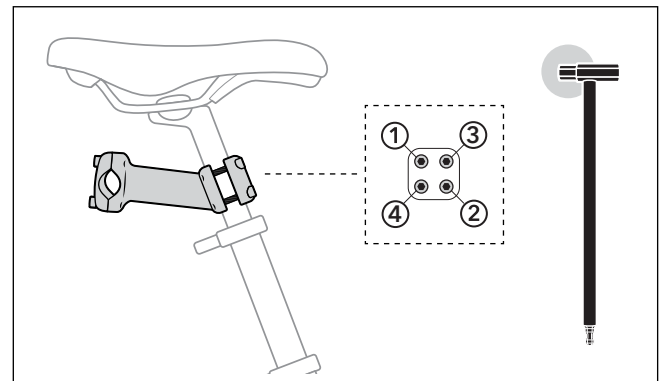




## Mount Stem on Seatpost

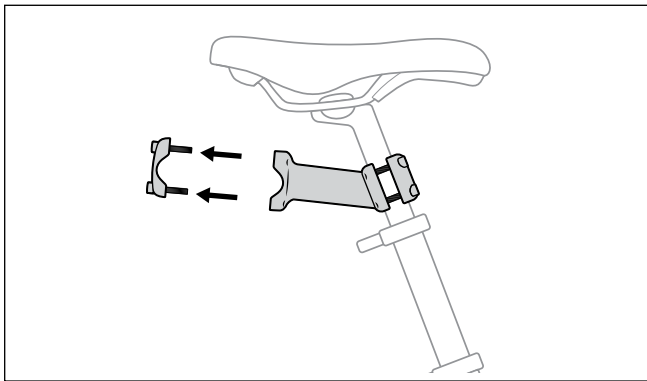


1. Remove Faceplate on Seatpost side.
2. Place Stem against the upper part of the Seatpost (Ø 30.9 mm).
3. Verify Stem is aligned with GSD rack.

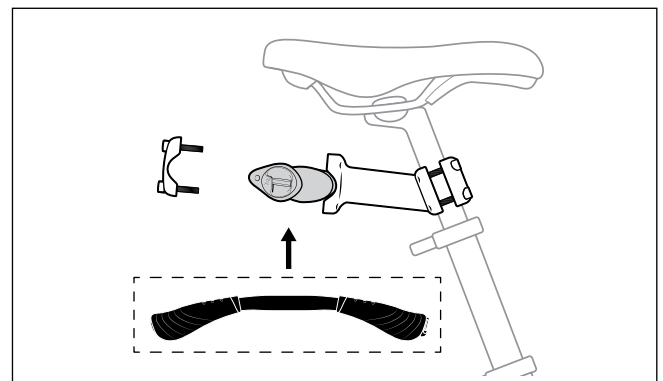


4. Place Faceplate onto Stem and tighten all bolts in cross pattern to a torque of 9-10 Nm.
5. Ensure gap between Stem and Faceplate remains even during tightening.

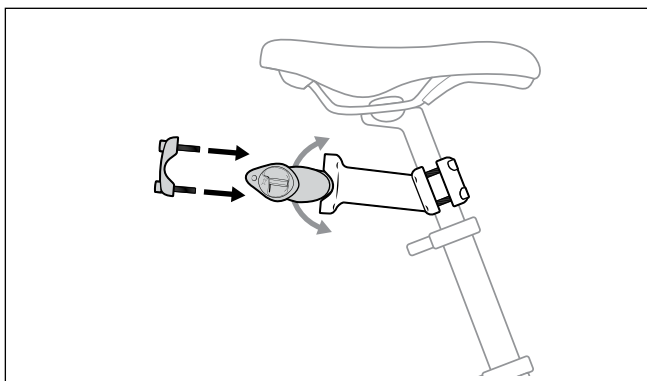
## Mount Handlebar on Stem



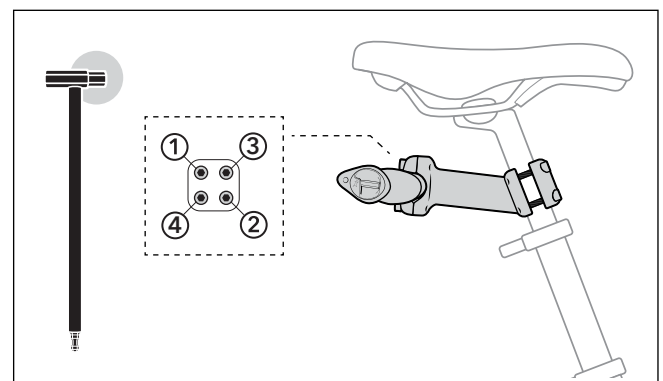
1. Remove Faceplate on Handlebar side.



2. Place Handlebar in center.



3. Place Faceplate on Stem and partially tighten all bolts.
4. Rotate Handlebar to find most comfortable grip angle for passenger.



5. Tighten bolts in cross pattern to a torque of 9-10 Nm.
6. Ensure gap between Stem and Faceplate remains even during tightening.

LIMITED PRODUCT WARRANTY INFORMATION: This Product comes with an ONE (1) YEAR Limited Warranty from the date of retail purchase by the original end-user. If a material or workmanship defect arises and a valid claim is received within the Warranty Period, this Product will be replaced. Mobility Holdings cannot be held liable for damages to personal property due to misuse or improper care and maintenance. This Product Warranty does not, under any circumstance, cover the replacement or cost of any third party product used with or connected to the Product.

Tern, the Tern Werd (logotype), the Tern Berd (device), GSD, Cargo Hold Panniers, Sidekick Bars, Sidekick Foot Pegs, Sidekick Lower Deck, Sidekick Seat Pad used alone or in combination are trade names, trade devices or registered trademarks of Mobility Holdings, Ltd.

© 2018 Mobility Holdings, Ltd.

   Tern Bicycles

[ternbicycles.com](http://ternbicycles.com)