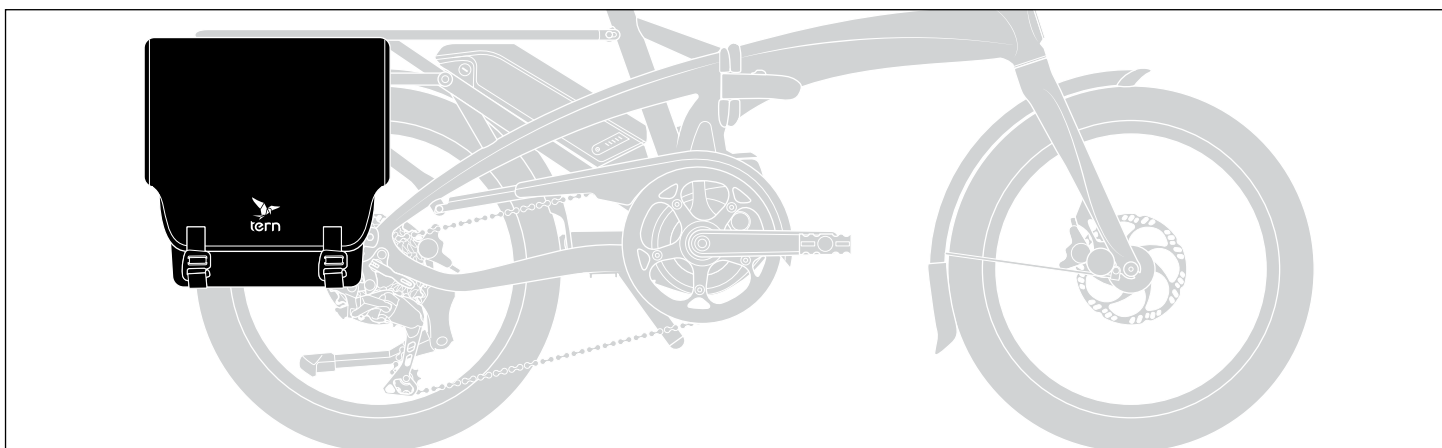


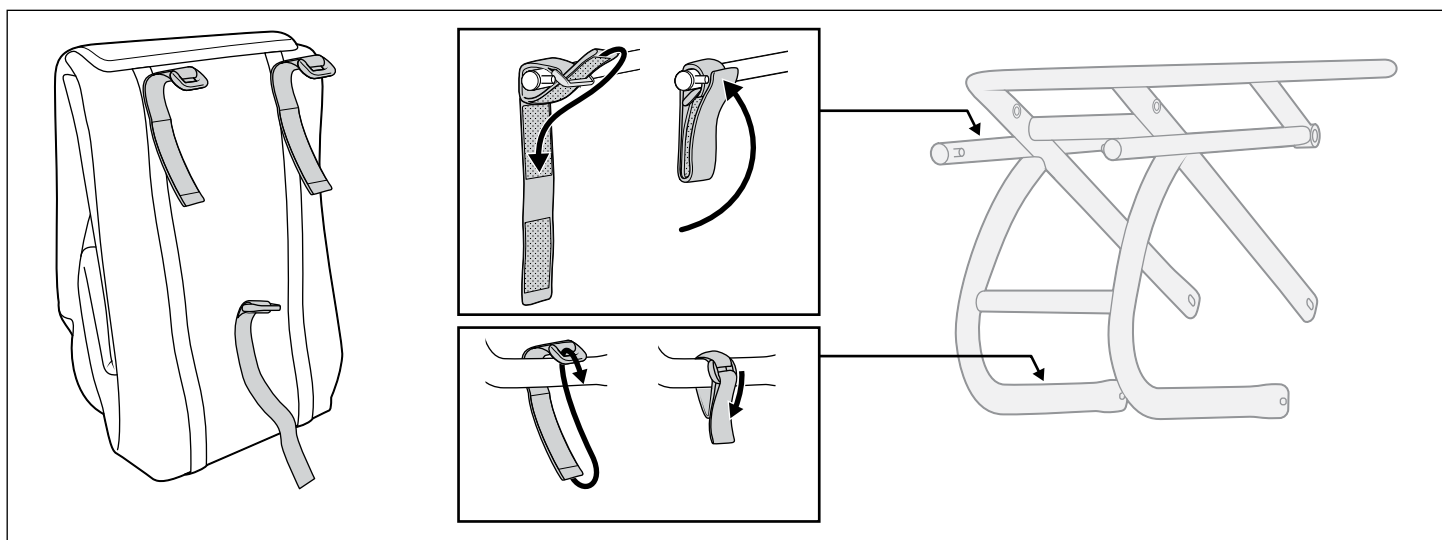
Bucketload™ Pannier



Specifications

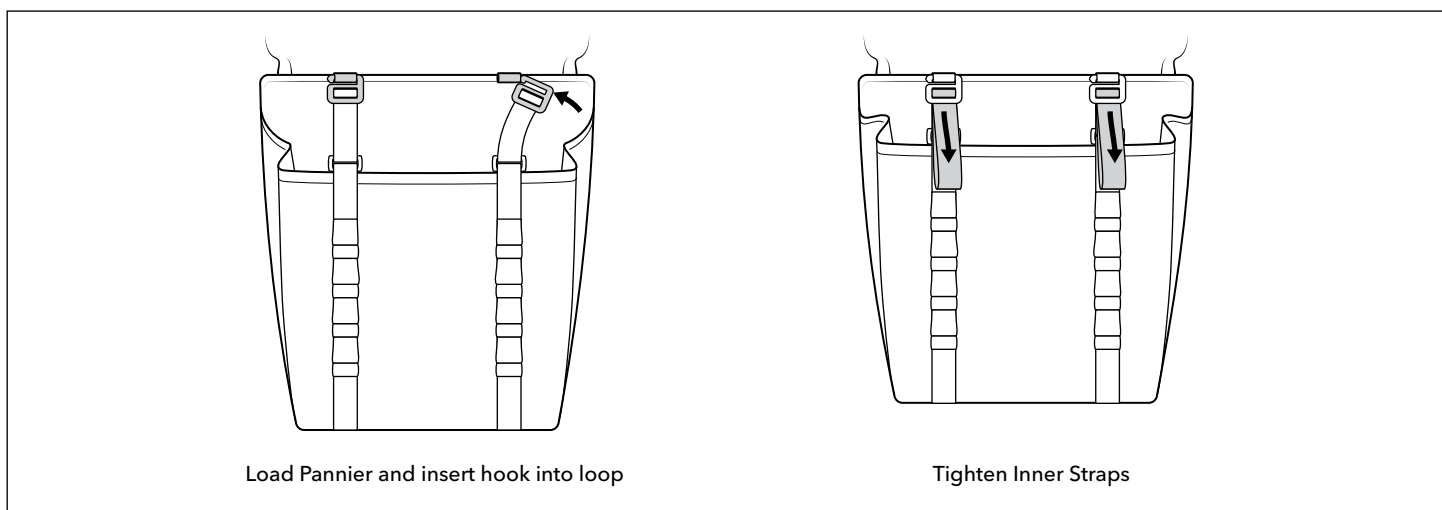
- 24 L (1465 cubic in) carrying capacity
- 9 kg (20 lb) maximum load

Attach and Fasten the Pannier

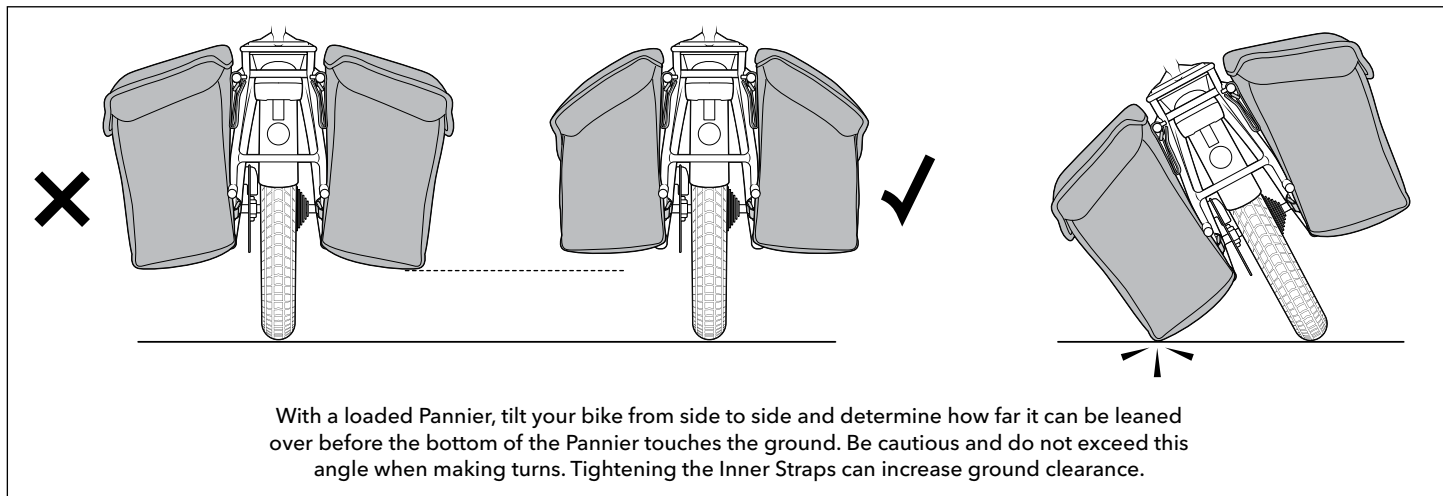


⚠ Mount the Pannier far back enough so as not to interfere with Rear Axle.

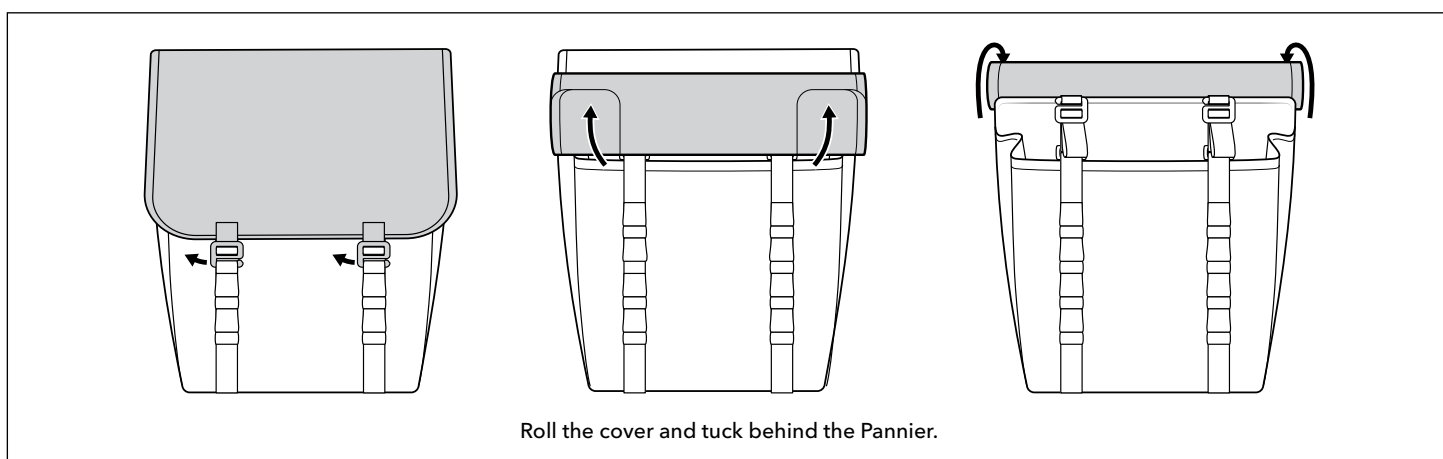
How to Secure Heavier Loads



Check Clearance from the Ground to the Bottom of the Bag

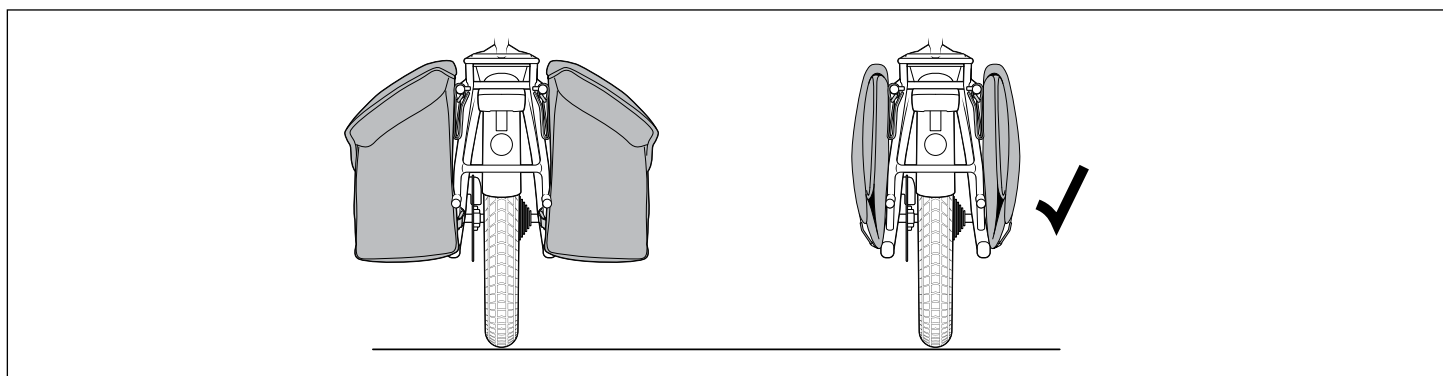


How to Use the Pannier with Cover Open



⚠ Do not leave any straps loose or dangling. Secure all straps before riding.

Fold Flat When Not in Use



LIMITED PRODUCT WARRANTY INFORMATION: This Product comes with a ONE (1) YEAR Limited Warranty from the date of retail purchase by the original end-user. If a material or workmanship defect arises and a valid claim is received within the Warranty Period, this Product will be replaced. Mobility Holdings cannot be held liable for damages to personal property due to misuse or improper care and maintenance. This Product Warranty does not, under any circumstance, cover the replacement or cost of any third party product used with or connected to the Product.

Tern, the Tern Werd (logotype), and the Tern Berd (device) and Bucketload Pannier, used alone or in combination are trade names, trade devices or registered trademarks of Mobility Holdings, Ltd.

© 2018 Mobility Holdings, Ltd.